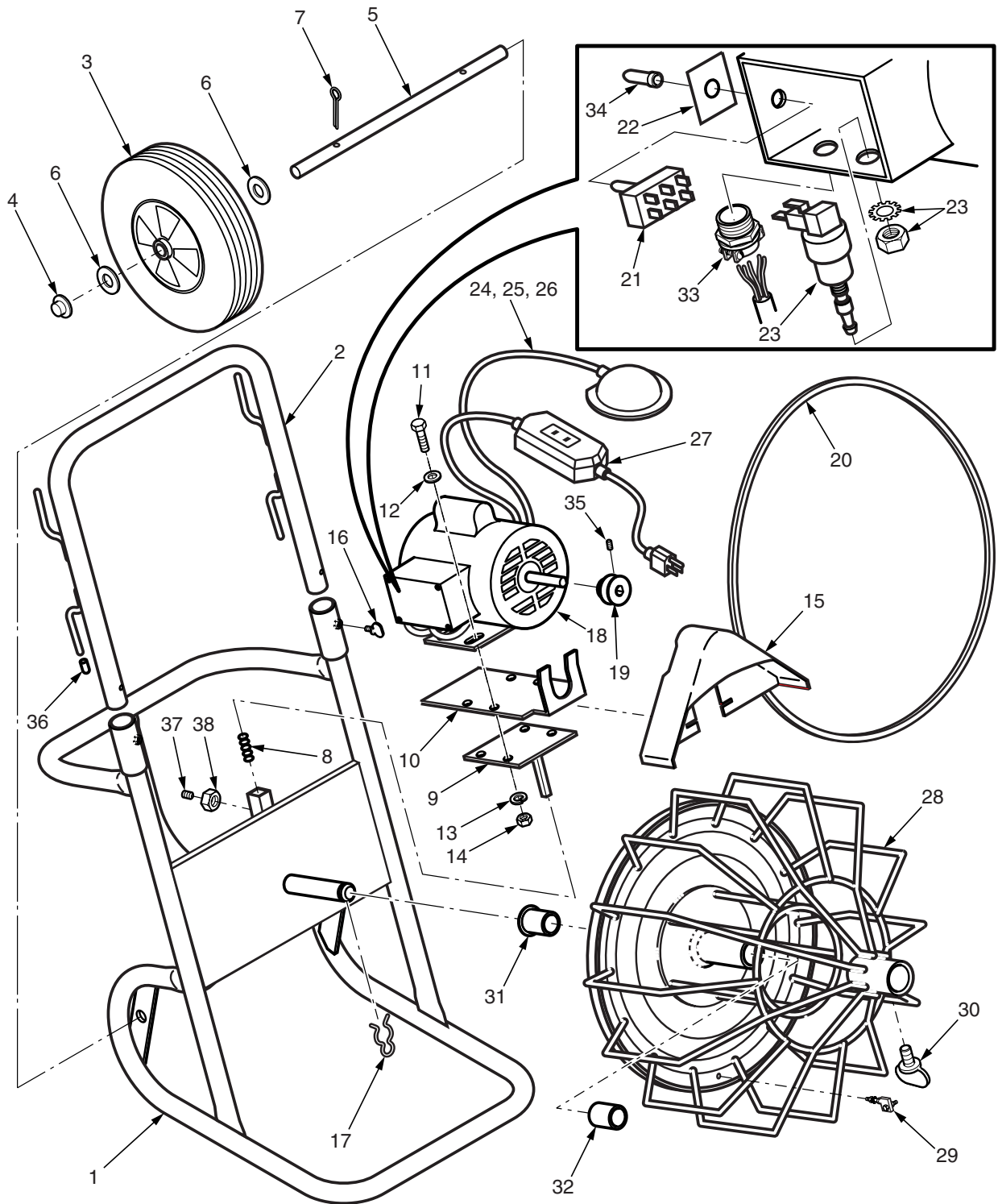


# MODEL R DRAIN CLEANING MACHINE



EE-R1\_rev3

## MODEL R DRAIN CLEANING MACHINE

ITEM NUMBER	PART NUMBER	DESCRIPTION	AMT
1	R-10*****	Frame. ....	1
2	R-12*****	Handle. ....	1
3*	R-W10	10" Diameter x 5/8 Wheels. ....	2
4	PN58	Push Nut. ....	2
5	R-3	Axle. ....	1
6	WA58P	Washers. ....	4
7	CP532114	Cotter Pin. ....	2
8	R-11	Motor Tension Spring. ....	1
9	R-23****	Motor Mount Assembly. ....	1
10	R-22****	Adapter Plate Assembly. ....	1
11	CSHH516181	Motor Mount Capscrews. ....	4
12	WA516S	Motor Mount Washers. ....	4
13	LW516	Motor Mount Lockwashers. ....	4
14	NU51618FHP	Motor Mount Nuts. ....	4
15	R-18	Belt Guard. ....	1
16	DL-4	Thumb Screw. ....	2
17	R-HPC	Hairpin Clip. ....	1
18	RM-1/3	Motor - 1/3 HP, 115 Volt, 60 cycles. ....	1
19	N-8	Motor Pulley. ....	1
20	A48	V-belt. ....	1
21	SW-FR	Forward/Reverse Switch. ....	1
22	SW-FRP	Forward/Reverse Switch Plate. ....	1
23	TBS3218	Air Activated On/Off Switch. ....	1
24	FP-1A**	Air Bulb Foot Pedal with Hose. ....	1
25	FP-1	Foot Pedal. ....	1
26	FP-2	Air Hose. ....	1
27	GFC1	Ground Fault Circuit Interrupter 20' Cord. .	1
28	R-20****	Cable Cage with Anchor. ....	1
29	R-14	Cable Anchor. ....	1
30	WS 12	Wing Screw. ....	1
31	OBSF324016	Rear Bronze Bushing. ....	1
32	OBSS324216	Front Bronze Bushing. ....	1
33	TSC 12	Two Screw Connector. ....	1
34	SW-Boot	Forward/Reverse Switch Boot. ....	1
35	SS51618516	Set Screw. ....	1
36	DL6CAP	Cord Hook Cap. ....	4

## MODEL R DRAIN CLEANING MACHINE

ITEM NUMBER	PART NUMBER	DESCRIPTION	AMT
37	SS5162458DP	5/16 - 24 x 5/8 Set Screw Dog Point . . . . .	1
38	NU51624FHP	5/16 - 24 Hex Nut . . . . .	1

\* Includes Item 4

\*\* Includes Items 25, 26

\*\*\* Includes Items 17, 29, 30, 31, 32

\*\*\*\* Prior to Serial No. 5047, Item #9 part no. is R-16 and Item #10 part no. is R-17

\*\*\*\*\* Includes Items 8, 9, 10, 37, 38

\*\*\*\*\* Includes Item 36